



SKL 700

Screw compressor with Lombardini diesel engine

CVS develops and manufactures compressors specifically designed for installation in trucks. The development is made in close collaboration with our customers. This guarantees the optimum product for your application.



The oil free screw compressor

The oil free screw compressor SKL 700 with Lombardini diesel engine was developed specifically for the bulk tanker industry.

Features

- » High standard of build quality.
- » Unique and robust design guarantee long lasting performance and high operating hours.
- » Compact and light-weight design for increased payloads.

Screw compressors with system

The volume flow rate of the SKL 700 with Lombardini diesel engine is 485 m³/h at input drive speed of 3000 rpm. The design of screw ensures increased efficiency and low discharge air temperatures with low noise operation.

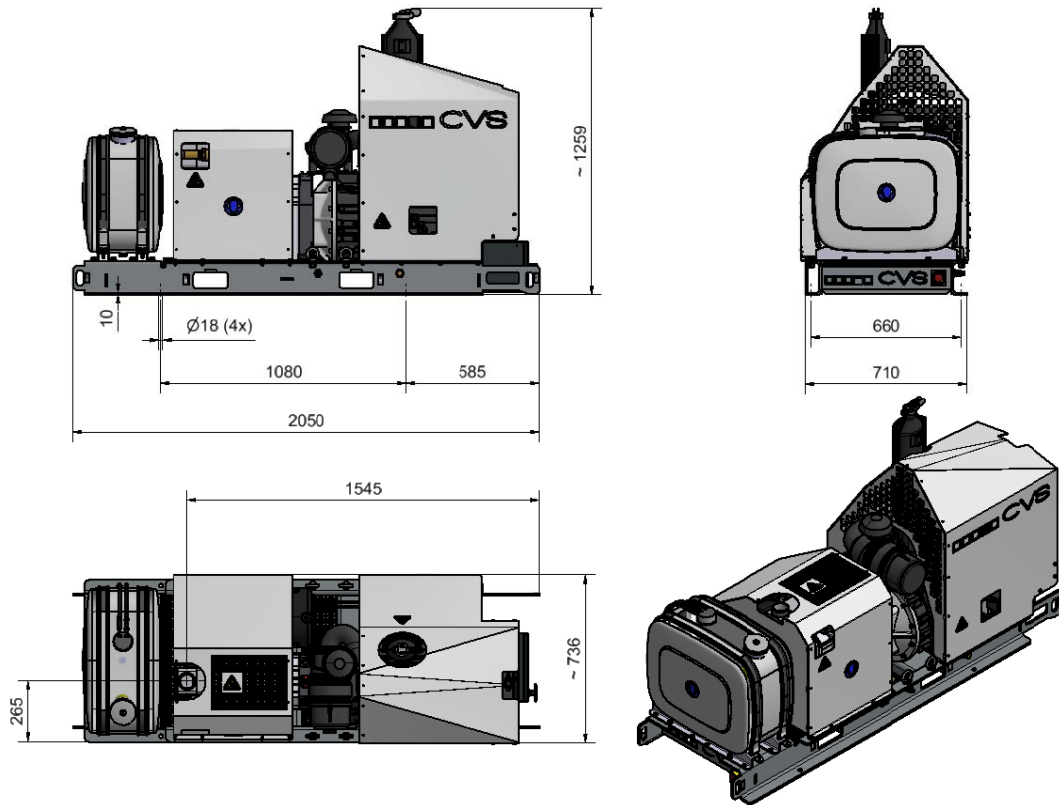
Compact and robust diesel package comprising

- » Compressor SKL 700.
- » Air filter with suction hose and flange.
- » Pressure silencer with safety and check valve.
- » 4 cylinder Lombardini diesel engine type LDW 2204, water cooled, with emission regulations in accordance with the EU-guidelines IIIA.
- » 90 liter diesel tank.
- » Battery with holder.
- » Elastic coupling.
- » Mounting frame.
- » Engine control
 - with shut-off at malfunction oil pressure of motor, coolant temperature of motor, oil pressure of compressor
 - with display of malfunction battery charge control, fill level diesel, maintenance air filter of compressor, maintenance air filter of motor.
- » Cover for motor and compressor.
- » Emergency off switches at both fronts.





Dimensions



Technical data

		SKL 700
Volume flow at free air	m ³ /h	485
Volume flow at 2 bar ü	m ³ /h	540
Max. pressure	bar	2.5
Compressor speed	1/min	3000
Motor speed	1/min	3000
Power requirement at 2 bar	kW	28
Weight	kg	590

Technical information subject to change