



## SKL 1200 C

Screw compressor in chassis installation

**CVS develops and manufactures compressors specifically designed for installation in trucks. The development is made in close collaboration with our customers. This guarantees the optimum product for your application.**



### The oil free screw compressor

The oil free screw compressor SKL 1200 C was developed specifically for in chassis installation and direct drive via cardan shaft.

### Features

- » High standard of build quality.
- » Unique and robust design guarantee long lasting performance and high operating hours.
- » Compact and light-weight design for increased payloads.
- » Fits into 6x2 and 6x4 tractor units
- » Optimum cardan shaft angle
- » Clockwise and counter-clockwise drive possible

### Screw compressors with system

The volume flow rate of the SKL 1200 C ranges from 560 up to 1170 m<sup>3</sup>/h at input drive speeds of 1000 up to 1800 rpm. The screw design ensures increased efficiency and low discharge air temperatures with low noise operation.

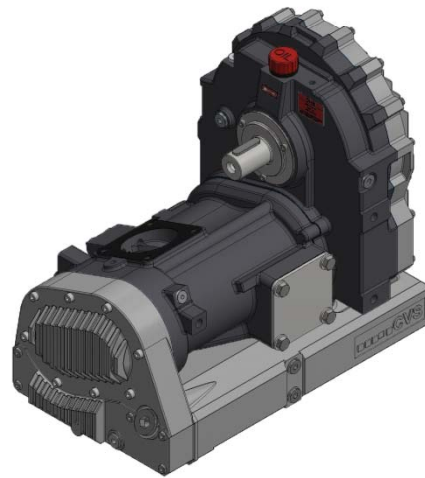
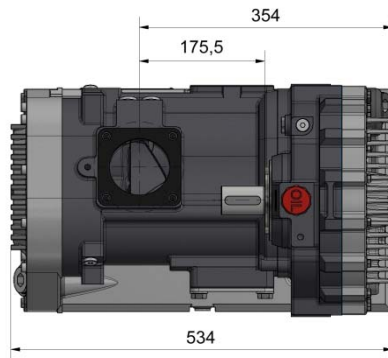
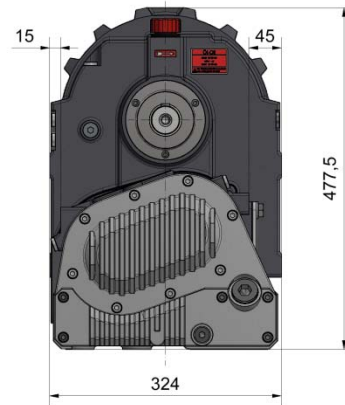
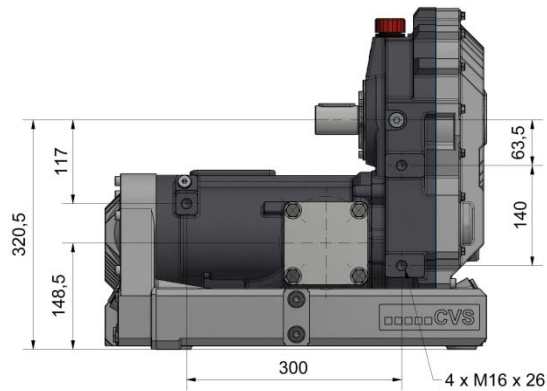


### Advantages

- » In chassis installation
- » Direct drive via cardan shaft
- » Dual suction inlet ports
- » External oil cooler as an option
- » Low weight
- » Oil capacity approx. 5 liters



## Dimensions



## Technical data

		SKL 1200C	
		1000	1800
Speed	rpm	1000	1800
Volume flow at free air	m <sup>3</sup> /h	660	1170
Volume flow at 2 bar g	m <sup>3</sup> /h	560	1090
Max. pressure	bar	2.5	2.5
Speed range	1/min	1000 – 1800	
Power requirement at 2 bar	kW	31	57
Weight	kg	115	

Technical information subject to change