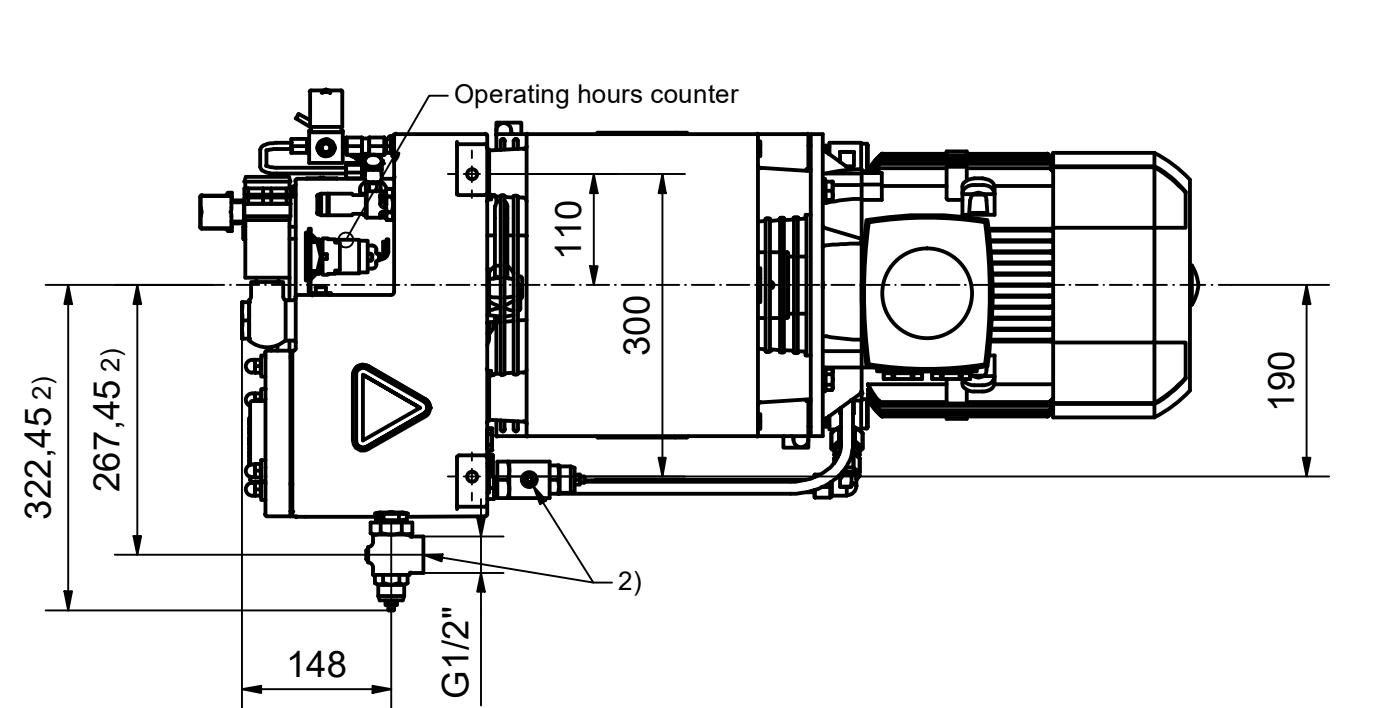
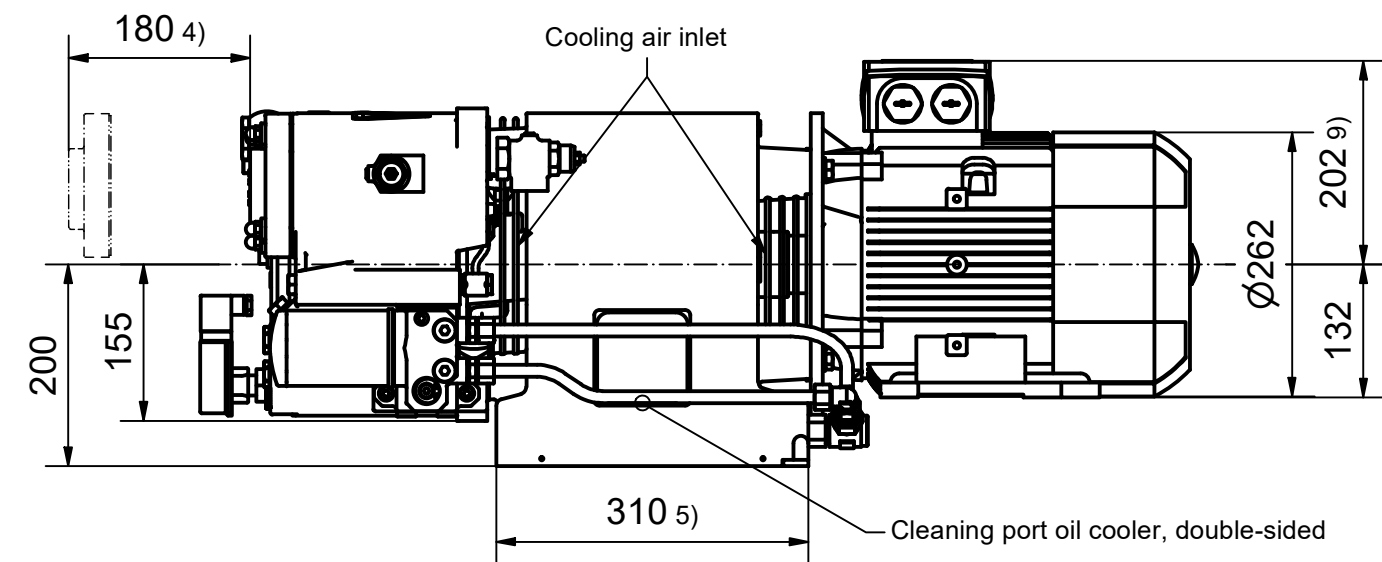
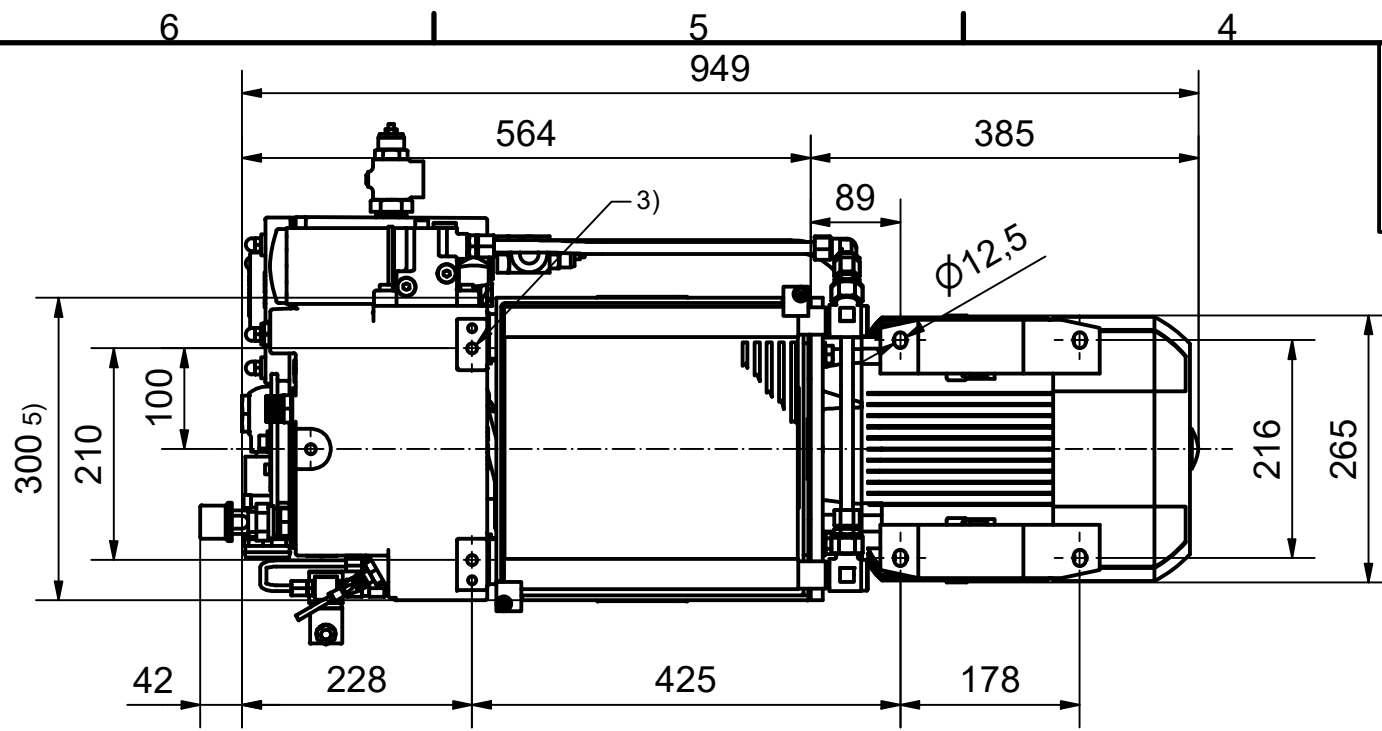


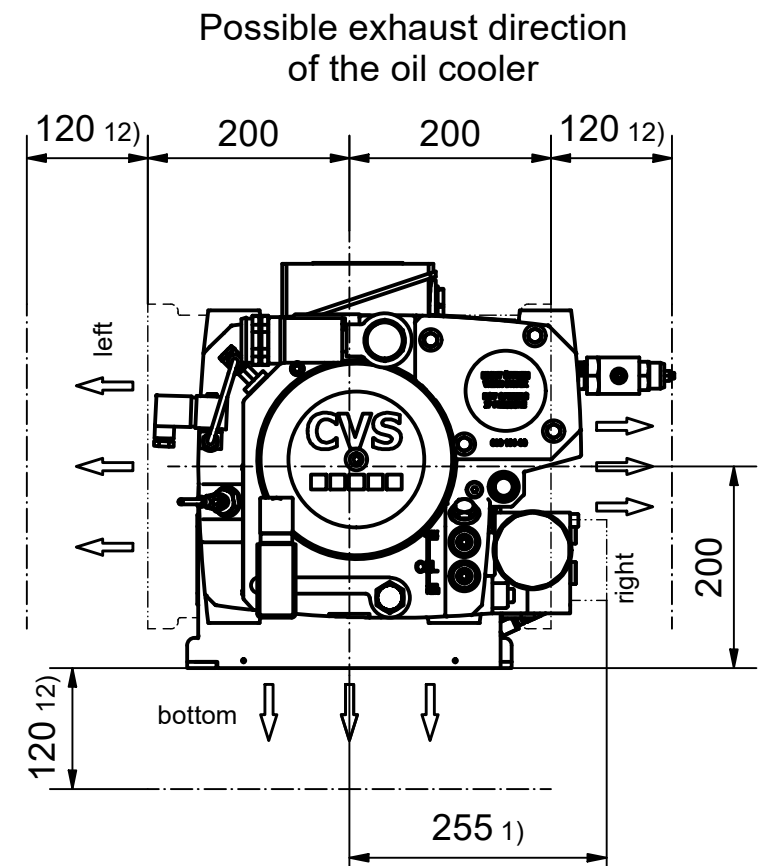
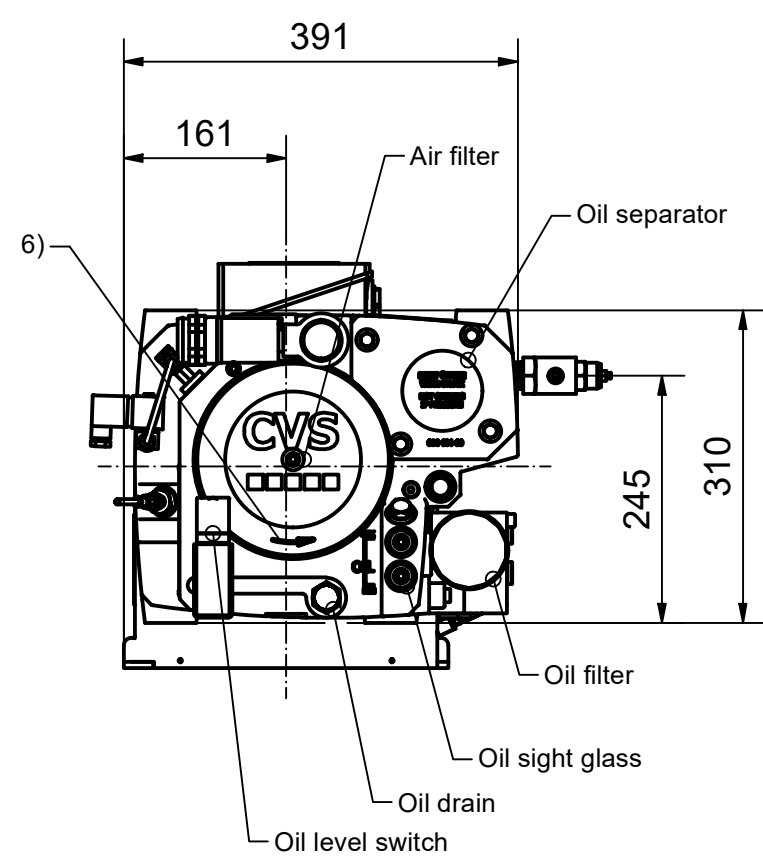


Rotary vane compressor Type RPO 800

8	8 280-00 Ä	Maßblatt - Dimension sheet
Index	Änderungsnr. Modification no.	250 179-00 M
mw	12.05.2016	
Name	Datum Date	



Compressor Type RPO	Suction volume flow [ltr / min]	Motor-rated power @ 10barg [kW]	Weight of Compressor [kg]	Weight e-motor [kg] 10)	Total weight [kg] 7),11)
800	770	7,5	67	44	111



Technical Data:
 - Suction pressure 1 bar
 - Cooling air temperature min -40°C / max +40°C other temperatures are to clarify with CVS
 - Cooling air volume flow rate max 1100 m³/h
 - Operating mode: Load - unload operation
 Load - idle - unload operation
 ⑧ Load - idle - temperature run - unload operation

Driving motor:
 - Voltage 3 x 400V, 50Hz
 - Design form: B35
 - Degree of protection: IP55 vibration proofed
 - Rotational speed: 1500 1/min

- 1) Pipework to the oil cooler in case of blow direction "right".
- 2) Pressure air outlet optionally "laterally" or "behind". In case of pressure air outlet "right" only "laterally" possible.
- 3) Fastening trapped hole M12 x 26 deep. Needed min. thread length 24mm!
- 4) Free space for oil filter exchange (Oil separator, air filter, oil filter).
- 5) Width for blow out channel. To keep the stagnation pressure as low as possible, should the exhaust channel be expanded.
- 6) Rotating direction on the compressor service side / seen on the driving shaft "left".
- 7) Weight information: compressor without oil filling.
- 8) Adapter flange for e-motor
- 9) Motor terminal box typically "on top", "right" or "left" after consultation.
- 10) From 01.01.2013 is used motor type 1LE1.
- 11) Total weight with motor type 1LE1.
- 12) Minimum distance to the wall!

Subject to change without prior notice!

Erstellt: Drawn:	29.02.2008 Kunimünc	Geprüft: Checked:	12.03.2008 Lütte	Genehmigt: Approved:	13.03.2008 Jäger	CVS engineering GmbH, Großmattstr. 14, D-79618 Rheinfelden Tel. +49-7623-71741-0 Fax. +49-7623-71741-90	Schutzvermerk ISO 16016 beachten Refer to protection notice ISO 16016
Ersatz für: Replacement for:		Ersetzt durch: Replaced by:		Maßstab: Scale:	~ Sprache: Language: EN		