



SKL

Screw compressor

CVS develops and manufactures compressors specifically designed for installation in trucks. The development is made in close collaboration with our customers. This guarantees the optimum product for your application.

The oil free screw compressor

The oil free screw compressor SKL was developed specifically for the bulk tanker industry.



Features

- » High standard of build quality.
- » Unique and robust design guarantee long lasting performance and high operating hours.
- » Compact and light-weight design for increased payloads.

Screw compressors with system

The volume flow rate of the SKL ranges from 385 up to 1050 m³/h at input drive speeds of 2000 (SKL 1100) resp. 2400 (SKL 700) up to 3600 rpm. The newly developed design of screw ensures increased efficiency and low discharge air temperatures with low noise operation.

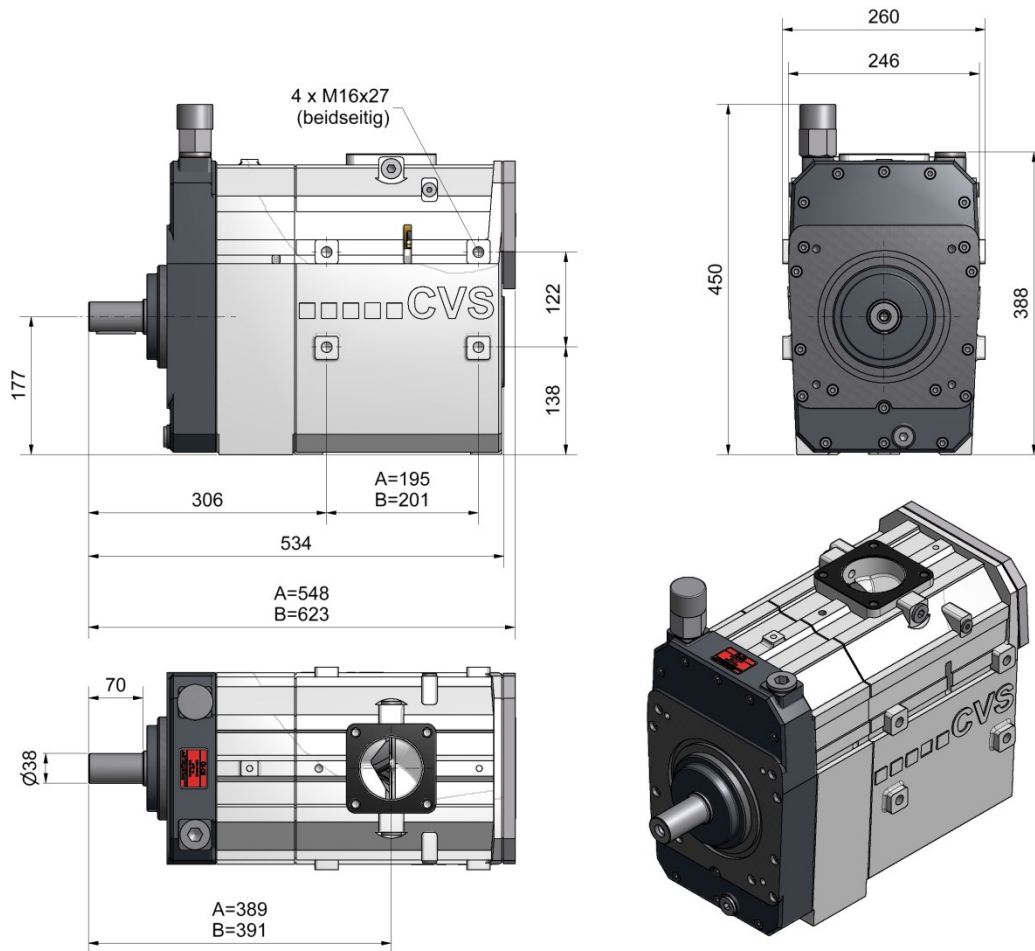


Advantages

- » High quality robust design guarantees long lasting performance and longer operating life.
- » Low weight.
- » Extensive speed range allows greater flexibility and maximum performance.
- » 2.5 bar operating pressure over full speed range.
- » Compact design for ease of installation.
- » Integrated lubricating oil pump and easy-to-change oil filter.



Dimensions



A = SKL 700
B = SKL 1100

Technical data

		SKL 700			SKL 1100			
		2400	3000	3600	2000	2400	3000	3600
Speed	rpm							
Volume flow at free air	m³/h	420	540	650	550	675	850	1050
Volume flow at 2 bar g	m³/h	385	485	600	490	600	775	980
Max. pressure	bar	2.5	2.5	2.5	2.5	2.5	2.5	2.5
Speed range	rpm	2400 – 3600			2000 – 3600			
Power requirement at 2 bar	kW	22.5	28.0	33.5	29.0	33.4	43.5	52.5
Weight	kg	113			126			

Technical information subject to change