



SKL

Screw compressor with electric motor and air after cooler

CVS develops and manufactures compressors specifically designed for installation in trucks. The development is made in close collaboration with our customers. This guarantees the optimum product for your application.

The oil free screw compressor

The oil free screw compressor SKL with electric motor was developed especially for the high requirements on mounting in bulk trucks.

Features

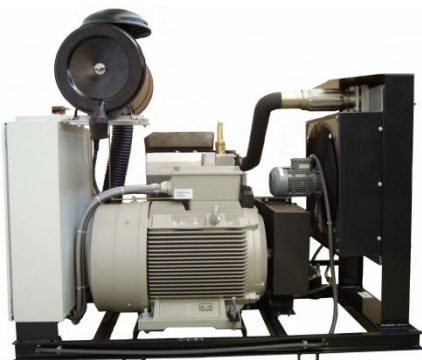
- » High standard of build quality.
- » Unique and robust design guarantee long lasting performance and high operating hours.
- » Compact and light-weight design for increased payloads.

Screw compressors with system

The volume flow rate of the SKL with electric motor ranges from 420 up to 1050 m³/h at input drive speeds of 2000 up to 3600 rpm. The newly developed design of screw ensures increased efficiency and low discharge air temperatures with low noise operation.

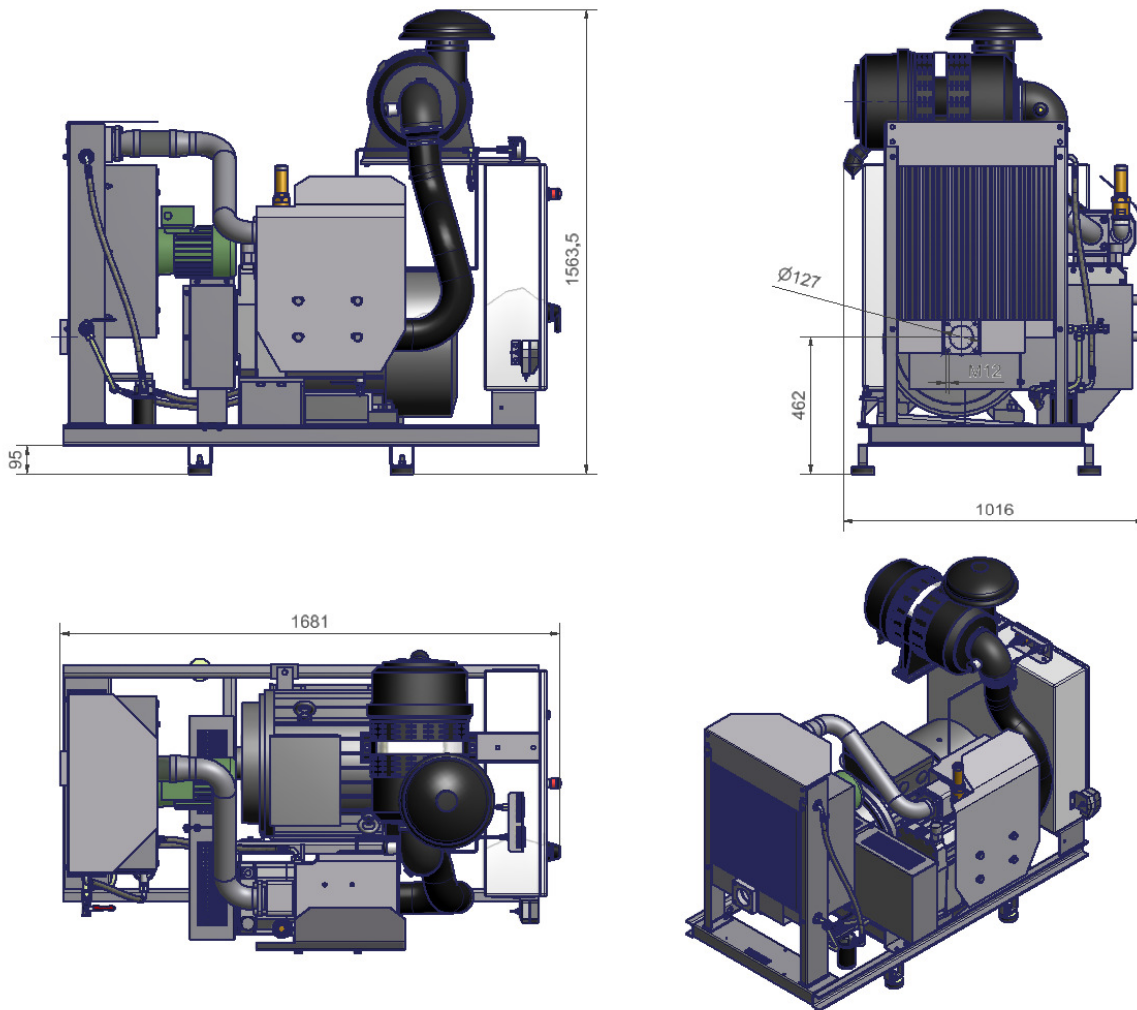
Compact and robust electric package comprising

- » Compressor SKL 700 or SKL 1100.
- » Air filter with flange.
- » Pressure silencer with safety and check valve.
- » Electric motor 37 kW or 55 kW.
- » V-belt drive.
- » Mounting frame.
- » Electrical switchboard.
- » Air after cooler.





Dimensions



Technical data

		SKL 700	SKL 1100
Volume flow at free air	m ³ /h	420 - 600	550 - 1050
Max. pressure	bar	2.5	2.5
Speed range	1/min	2400 – 3600	2000 – 3600
Motor	kW	37	55

Technical information subject to change