



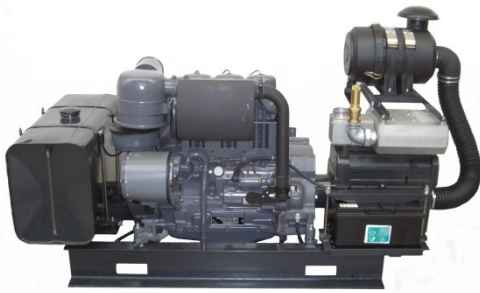
SKL 1100

Screw compressor with diesel engine

CVS develops and manufactures compressors specifically designed for installation in trucks. The development is made in close collaboration with our customers. This guarantees the optimum product for your application.

The oil free screw compressor

The oil free screw compressor SKL 1100 with diesel engine was developed specifically for the bulk tanker industry.



Features

- » High standard of build quality.
- » Unique and robust design guarantee long lasting performance and high operating hours.
- » Compact and light-weight design for increased payloads.

Screw compressors with system

The volume flow rate of the SKL 1100 with diesel engine ranges from 520 up to 650 m³/h at input drive speeds of 2000 up to 2400 rpm. The newly developed design of screw ensures increased efficiency and low discharge air temperatures with low noise operation.

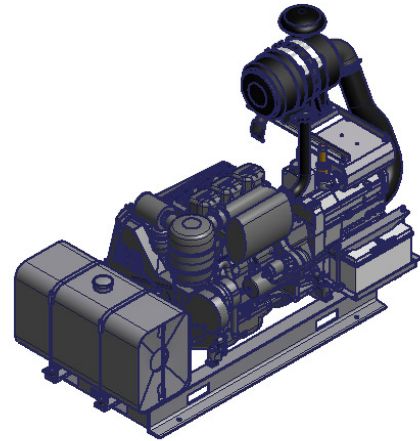
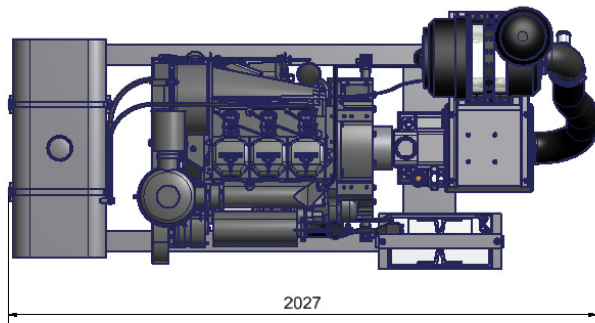
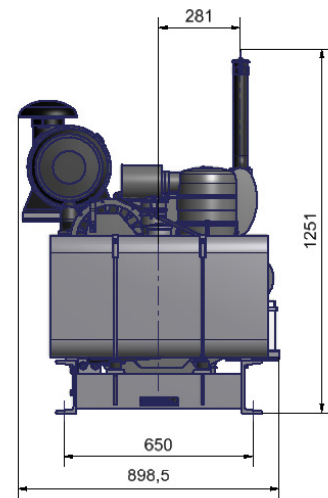
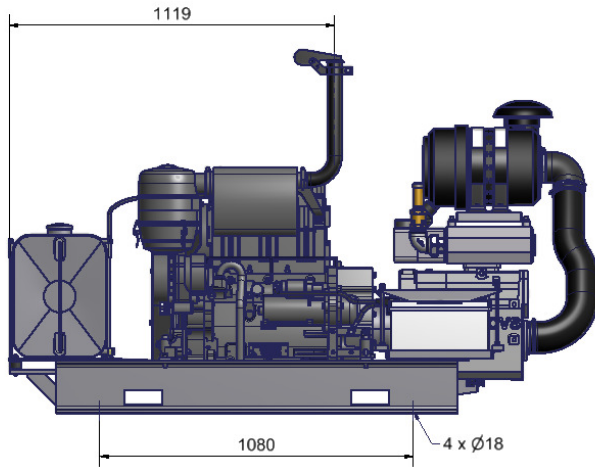
Compact and robust diesel package comprising

- » Compressor SKL 1100.
- » Air filter with suction hose and flange.
- » Pressure silencer with safety and check valve.
- » Deutz diesel engine F3L 912.
- » 90 liter diesel tank.
- » Battery with holder.
- » Elastic coupling.
- » Mounting frame.





Dimensions



Technical data

		SKL 1100
Volume flow at free air	m³/h	520 - 650
Max. pressure	bar	2.0
Speed range	1/min	2000 – 2400
Weight	kg	630

Technical information subject to change