

**Data sheet**

Compressor  
for suction vehicles



# VacuStar L 400

Compressor

- Overview page 2
- Dimensions page 4
- Features page 3
- Technical data page 4

## VacuStar L 400

### Compressor

#### ■ Overview



CVS develops and manufactures compressor vacuum pumps and compressors specifically designed for installation in vacuum trucks. The development is made in close collaboration with our customers. This guarantees the optimum product for your application.

#### The compressor

The air cooled series L was developed especially for the high requirements for unloading suction vehicles.

## Contact person



### Roger Homberger

Head of Sales

+49 (0) 7623 71 741-24

+49 (0) 151 72 13 01 81

roger.homberger@cvs-eng.de



### Patrick Zettler

Sales

+49 (0) 7623 71 741-23

+49 (0) 162 25 25 694

patrick.zettler@cvs-eng.de



### Helen Kreissl

Internal Sales

+49 (0) 7623 71 741-21

helen.kreissl@cvs-eng.de

## ■ Features

- High quality compressors from CVS for reliable discharge
- Durable and robust design guarantee long lasting performance and high operating hours
- Compact and light-weight compressors for higher payload on the truck

### Compressors with system

The series L delivers a volume flow from 225 up to 345 m<sup>3</sup>/h / 130 – 203 cfm.

The compressor is lubricated automatically by an integrated oil pump.

Technical subject to alteration



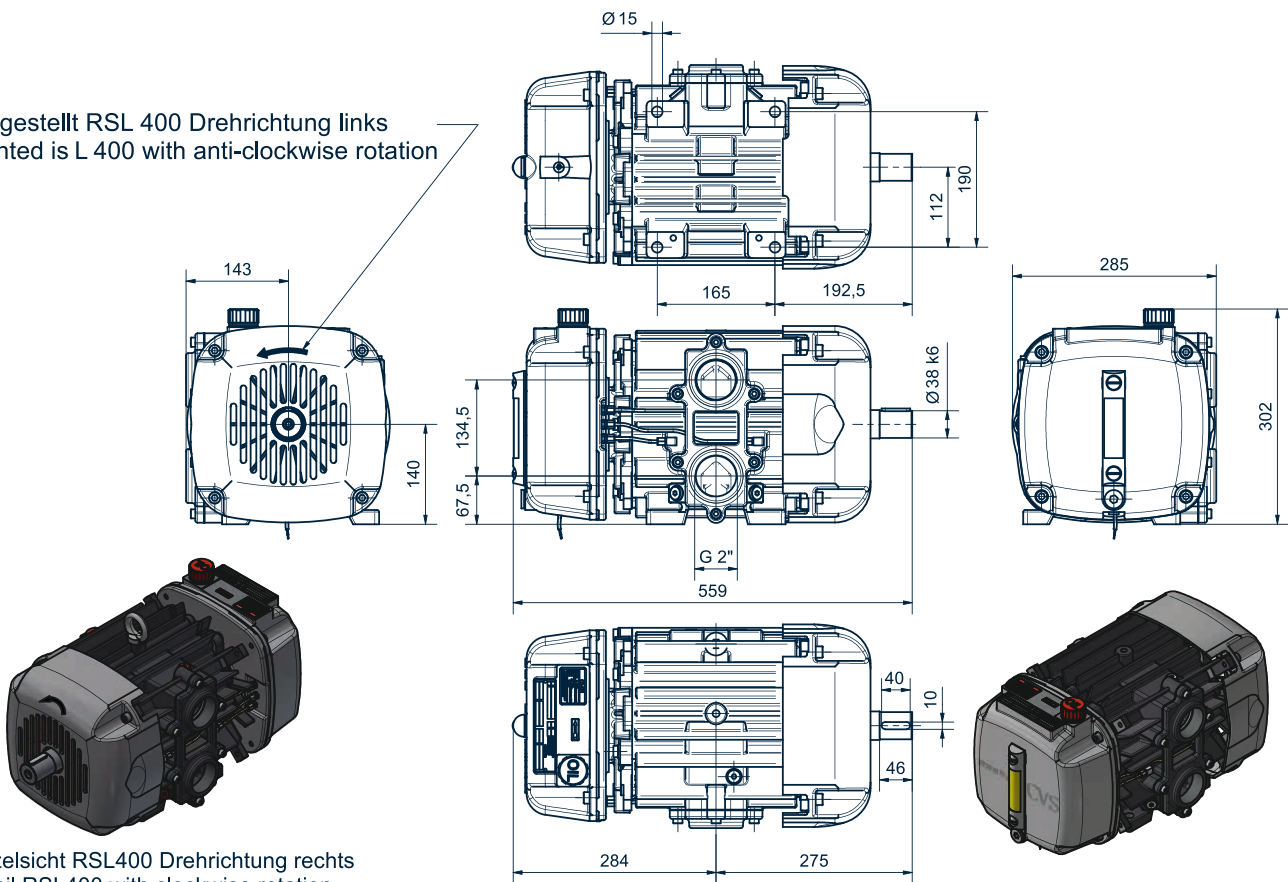
## ■ Advantages

- Connectivity for hydraulic motor
- Optimized cooling
- Low weight
- Visual oil level indicator
- Shaft end exposed for driving using V-belts, cardan shaft and flexible coupling



## ■ Dimensions

Dargestellt RSL 400 Drehrichtung links  
Painted is L 400 with anti-clockwise rotation



Einzelsicht RSL400 Drehrichtung rechts  
Detail RSL400 with clockwise rotation

## ■ Technical data

		<b>VacuStar L 400</b>
<b>Suction volume flow at free air</b>	<b>m<sup>3</sup>/h / cfm</b>	345 / 203
<b>Volume flow at 2 bar g / 29 psig</b>	<b>m<sup>3</sup>/h / cfm</b>	305 / 179
<b>Max. operating pressure</b>	<b>bar g / psig</b>	2.0 / 29.0
<b>Nominal speed</b>	<b>1/min / rpm</b>	1500
<b>Power requirement at 2 bar g / 29 psig</b>	<b>kW / hp</b>	19 / 25.5
<b>Weight</b>	<b>kg / lb</b>	79 / 174

Technical subject to alteration